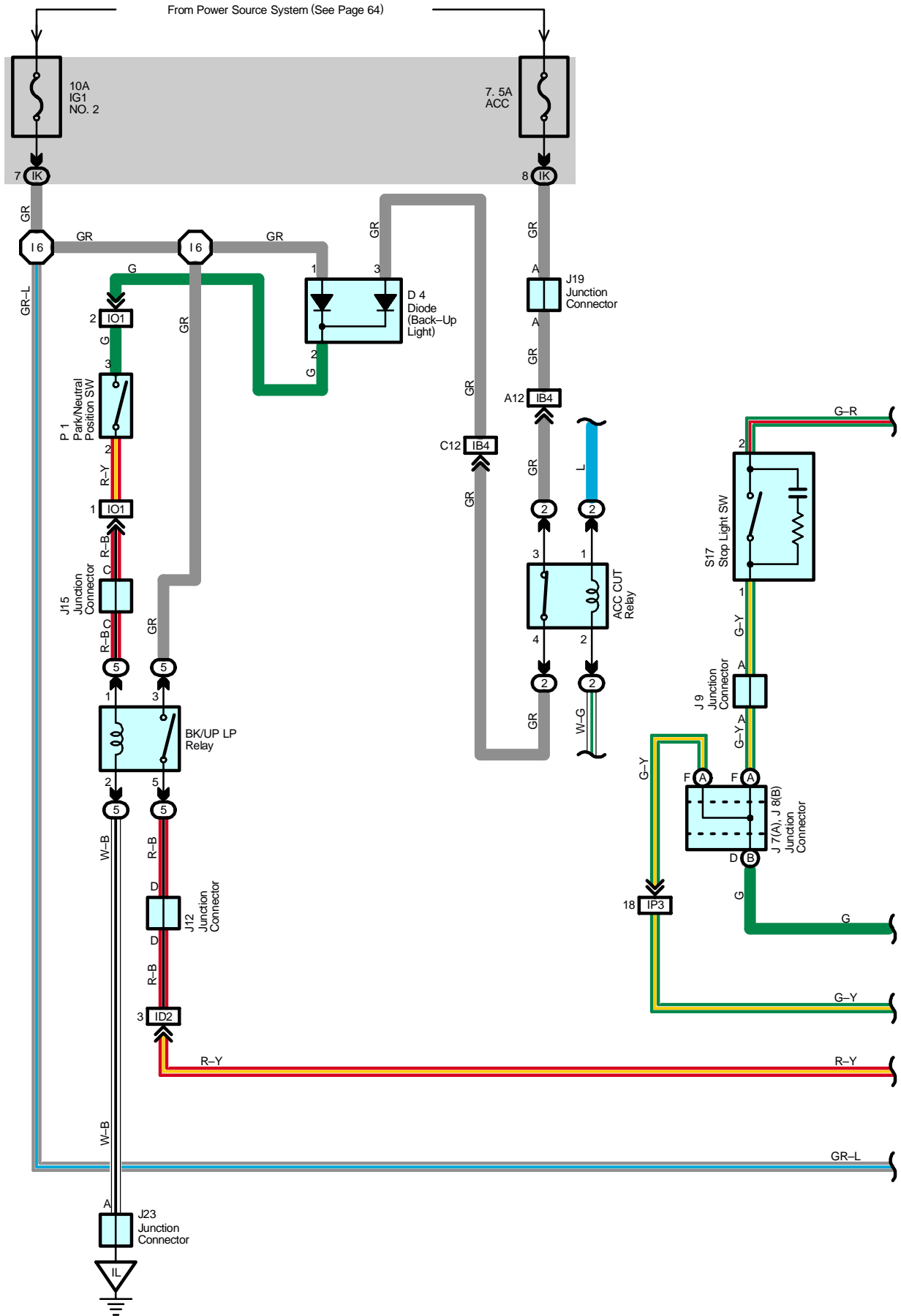
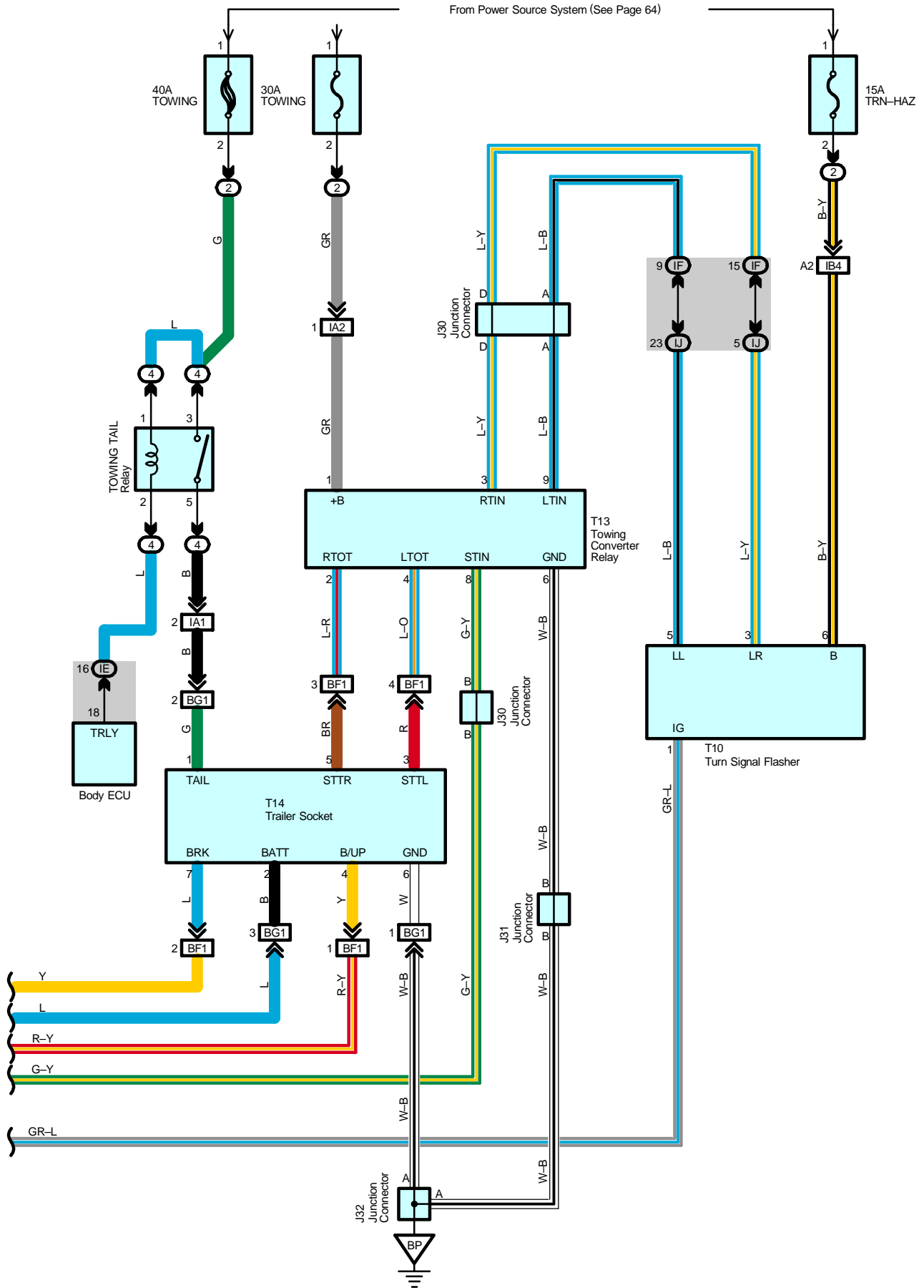


Trailer Towing



Trailer Towing



Service Hints

T13 Towing Converter Relay

- 1-Ground : Always approx. 12 volts
- 6-Ground : Always continuity

T8 Towing Brake Controller

- 2-Ground : Always approx. 12 volts
- 3-Ground : Always continuity

T14 Trailer Socket

- 2-Ground : Approx. 12 volts with the ignition SW at ON position
- 6-Ground : Always continuity

○ : Parts Location

Code	See Page	Code	See Page	Code	See Page
D4	39	J15	40	P1	37
J1	37	J16	40	S8	41
J2	37	J17	40	S17	41
J7	A	J19	40	T8	41
J8	B	J23	40	T10	41
J9	40	J30	43	T13	45
J12	40	J31	43	T14	45
J14	40	J32	43		

○ : Relay Blocks

Code	See Page	Relay Blocks (Relay Block Location)
2	22	Engine Room R/B (Engine Compartment Left)
4	23	Engine Room R/B No.4 (Engine Compartment Left)
5	24	Passenger Side R/B (Right Kick Panel)

○ : Junction Block and Wire Harness Connector

Code	See Page	Junction Block and Wire Harness (Connector Location)
IE	26	Engine Room Main Wire and Driver Side J/B (Lower Finish Panel)
IF	26	Floor No.2 Wire and Driver Side J/B (Lower Finish Panel)
IJ	27	Instrument Panel Wire and Driver Side J/B (Lower Finish Panel)
IK		
IL		

□ : Connector Joining Wire Harness and Wire Harness

Code	See Page	Joining Wire Harness and Wire Harness (Connector Location)
IA1	50	Floor No.2 Wire and Engine Room Main Wire (Left Kick Panel)
IA2		
IB4	50	Instrument Panel Wire and Engine Room Main Wire (Left Kick Panel)
ID2	50	Instrument Panel Wire and Floor No.2 Wire (Left Kick Panel)
IO1	54	Engine Wire and Instrument Panel Wire (Right Side of the Blower Unit)
IP3	54	Instrument Panel Wire and Engine Room Main Wire (Right Kick Panel)
BF1	60	Floor No.2 Wire and Frame No.3 Wire (Left Side of Rear Floor Crossmember)
BG1	60	Frame No.3 Wire and Floor No.2 Wire (Left Side of Rear Floor Crossmember)

▽ : Ground Points

Code	See Page	Ground Points Location
EB	48	Front Left Fender
IJ	50	Near the Right Side of Steering Column
IL	50	Right Kick Panel
BP	58	Left Quarter Panel Inner

Trailer Towing



: Splice Points

Code	See Page	Wire Harness with Splice Points	Code	See Page	Wire Harness with Splice Points
16	52	Instrument Panel Wire			

