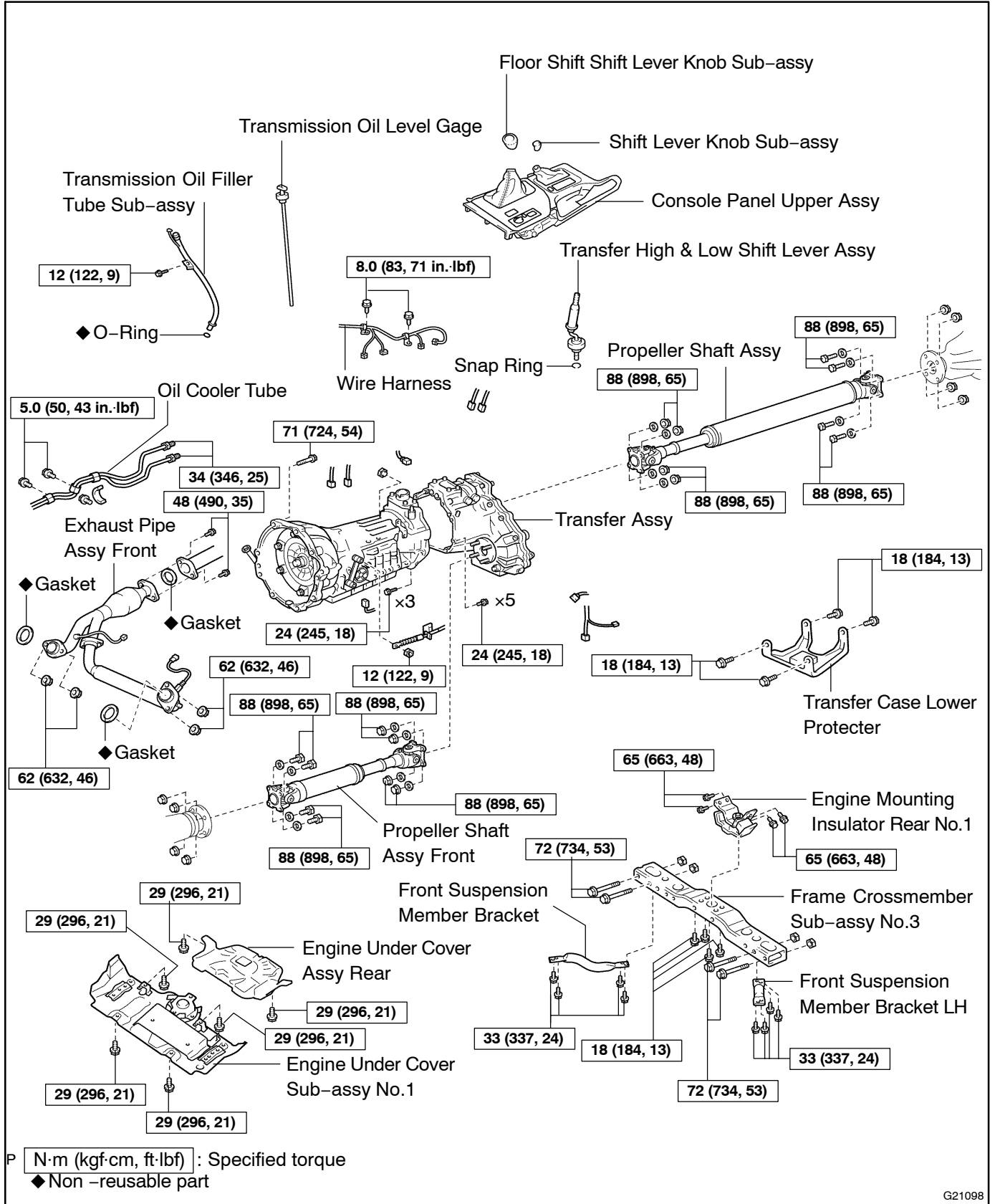


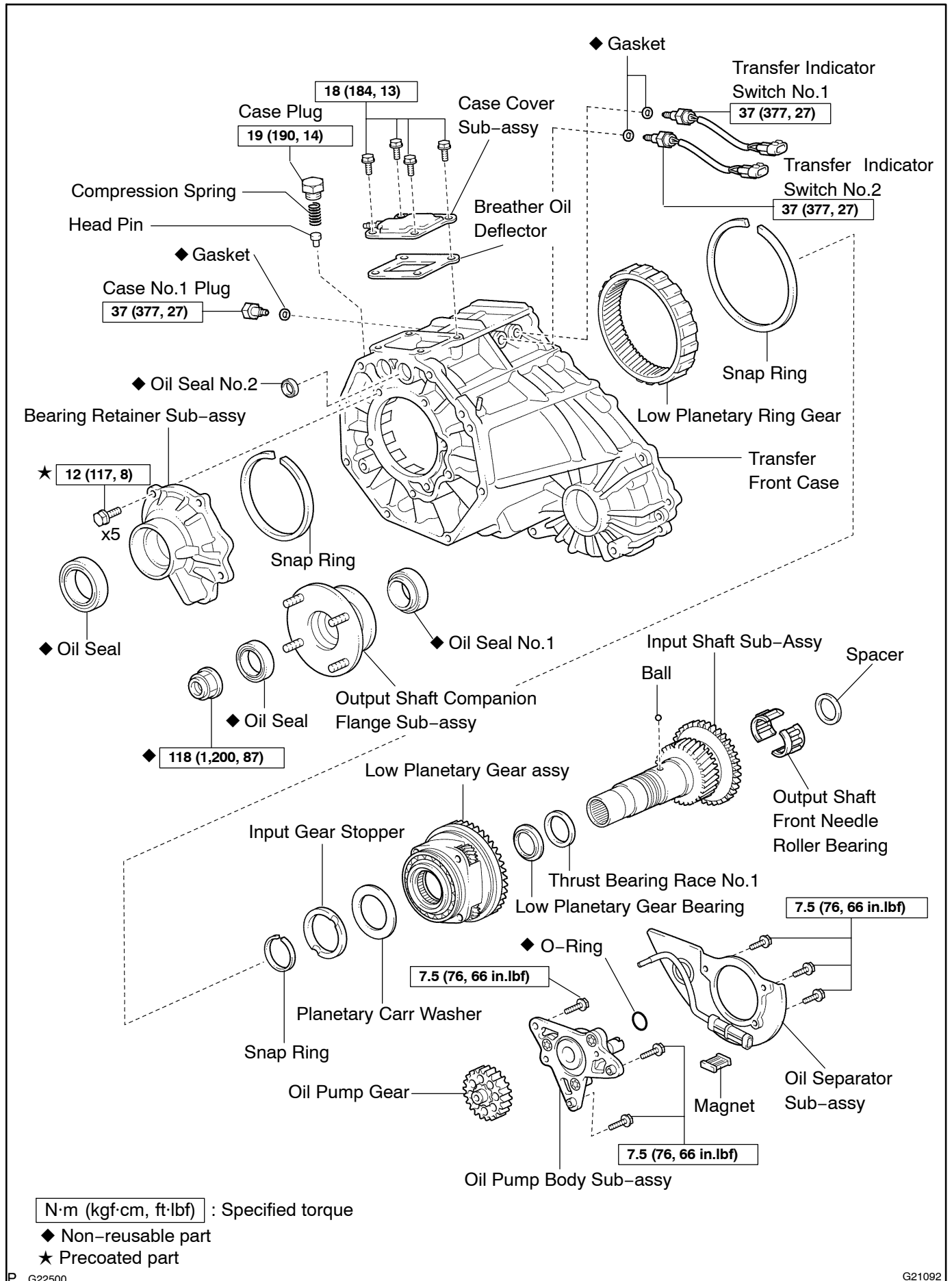
TRANSFER COMPONENTS

3103V-01



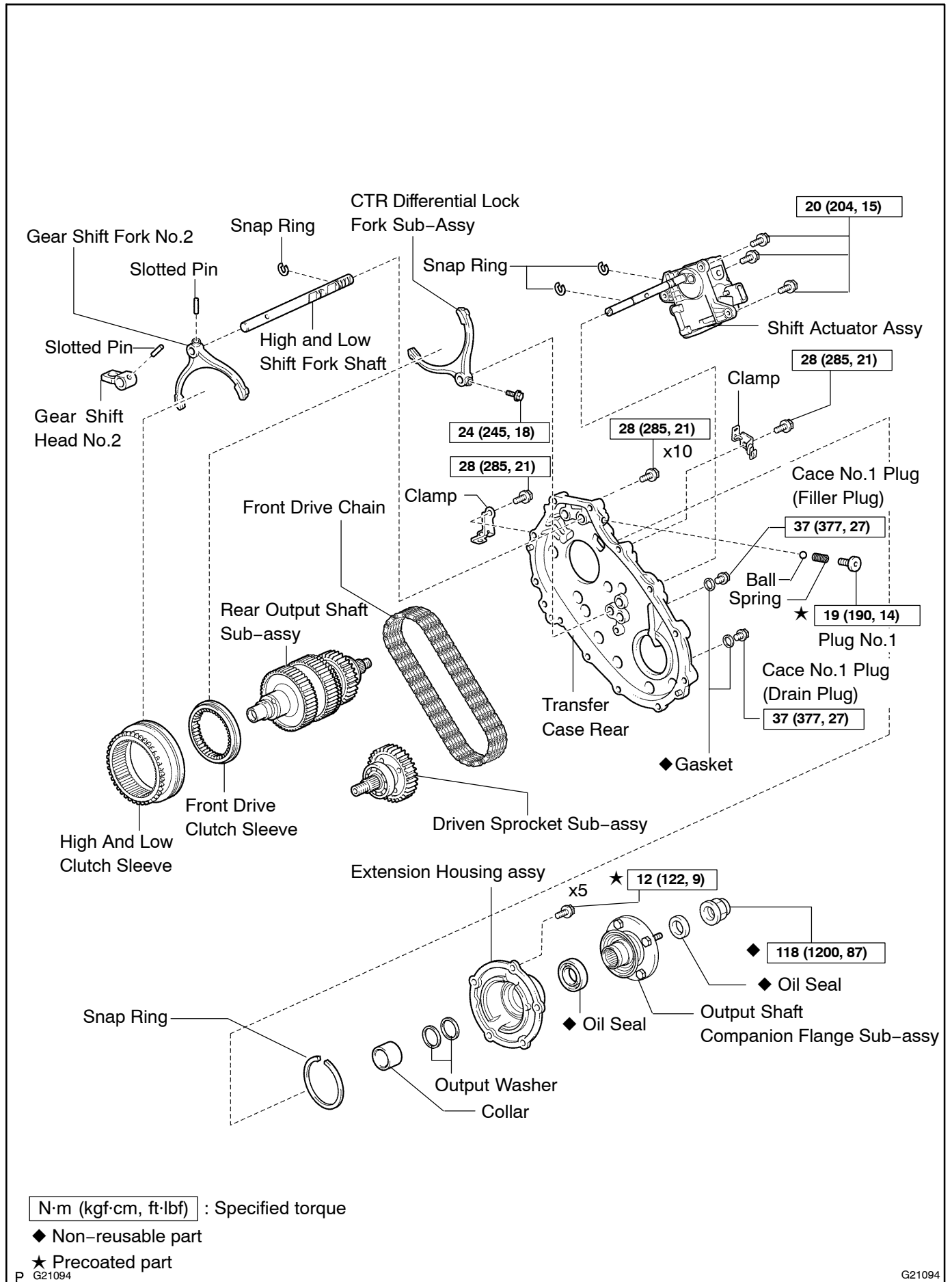
G21098

TRANSFER - TRANSFER ASSY



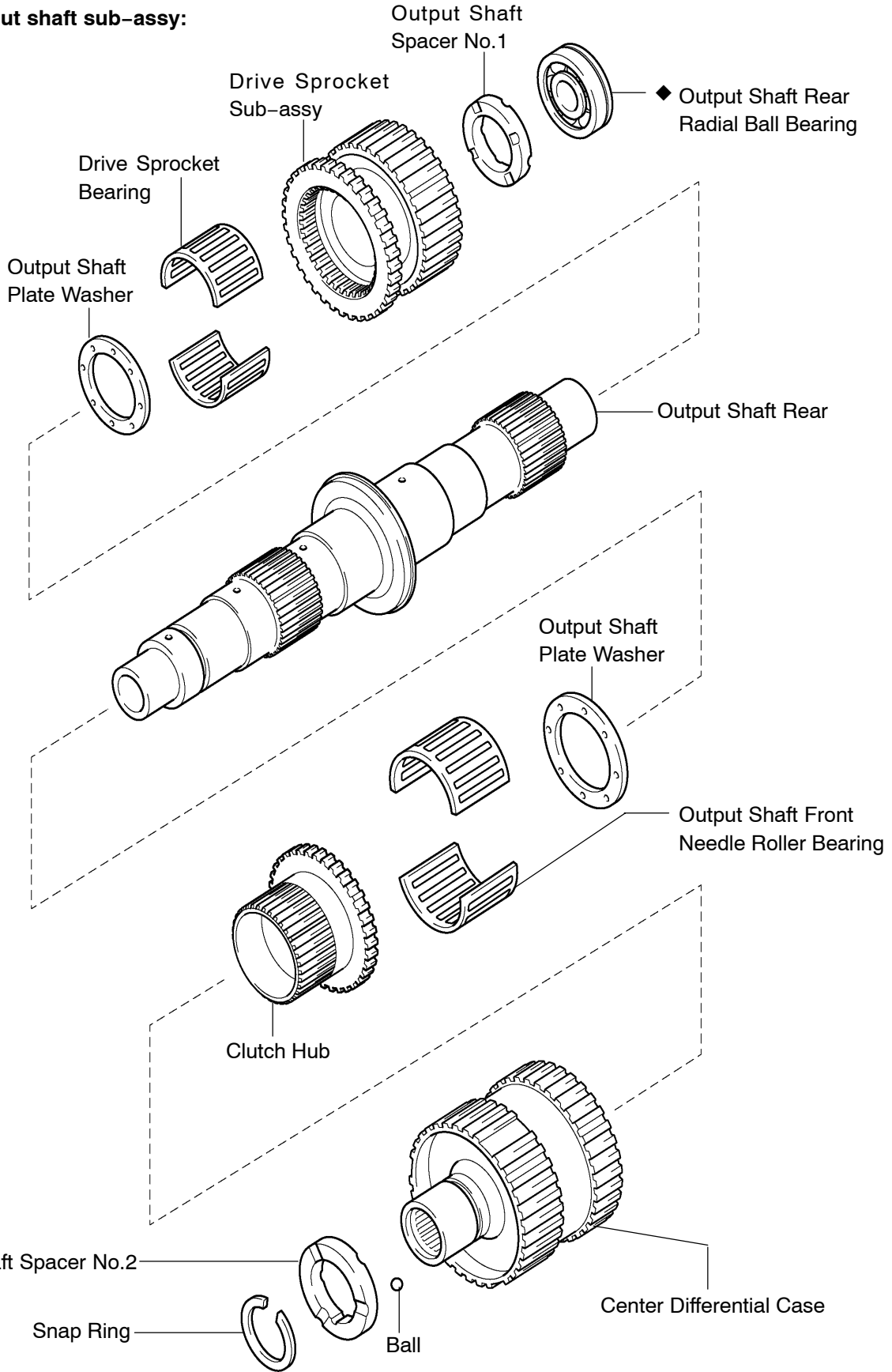
P G22500

G21092



N·m (kgf·cm, ft·lbf) : Specified torque
 ◆ Non-reusable part
 ★ Precoated part

Rear output shaft sub-assy:

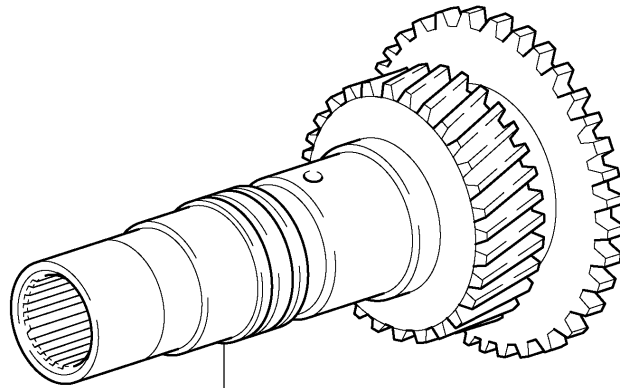
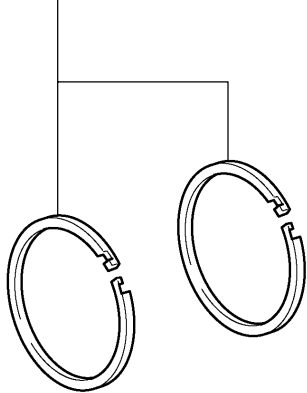


◆ Non-reusable part

G21093

Input shaft sub-assy:

◆ Seal Ring No.1



Input Shaft

◆ Non-reusable part

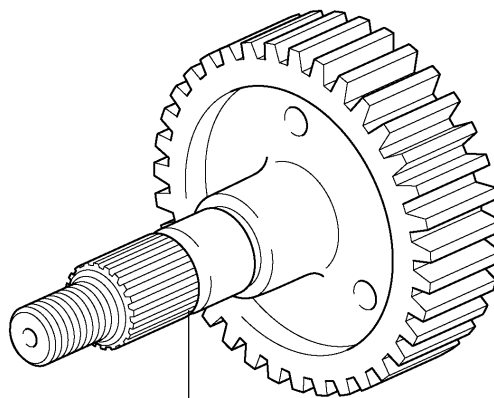
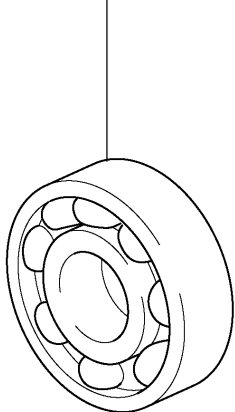
N

F43496

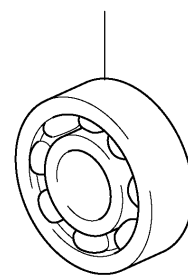
Driven sprocket sub-assy:

◆ Input Gear Radial Ball Bearing

◆ Driven Sprocket Bearing



Driven Sprocket

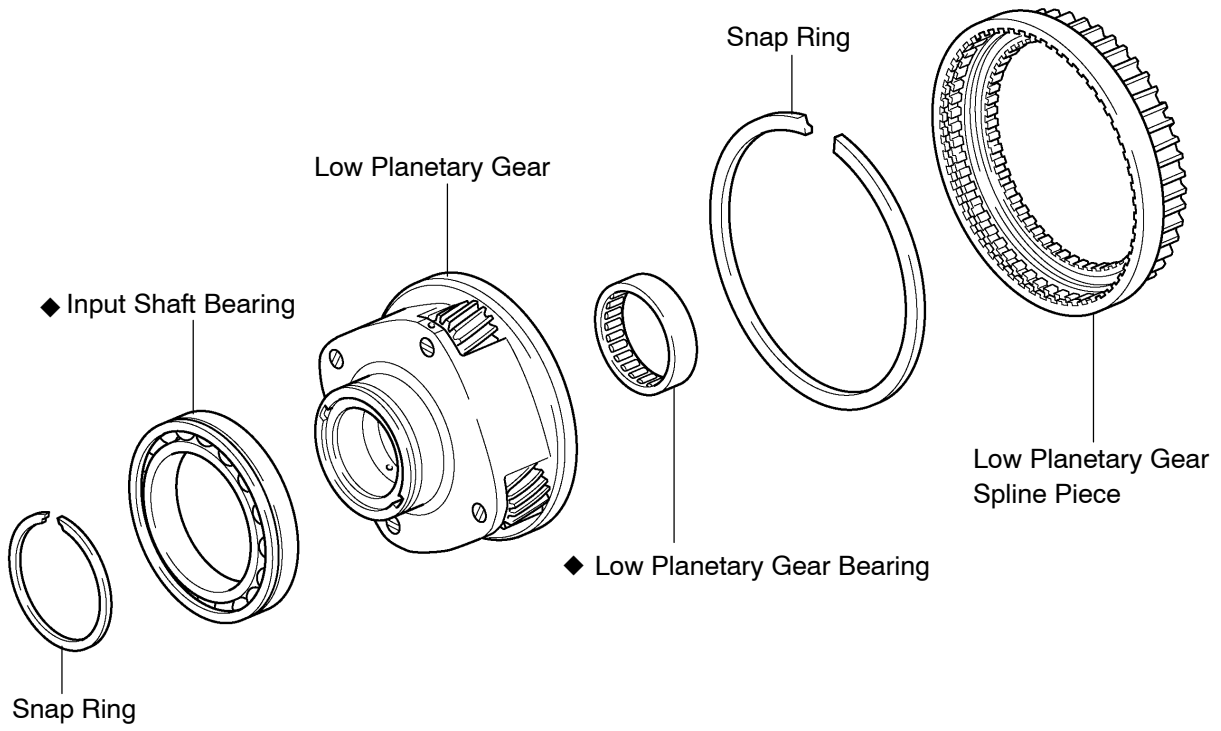


◆ Non-reusable part

N

F43494

Low planetary gear assy:



N ◆ Non-reusable part

F43495