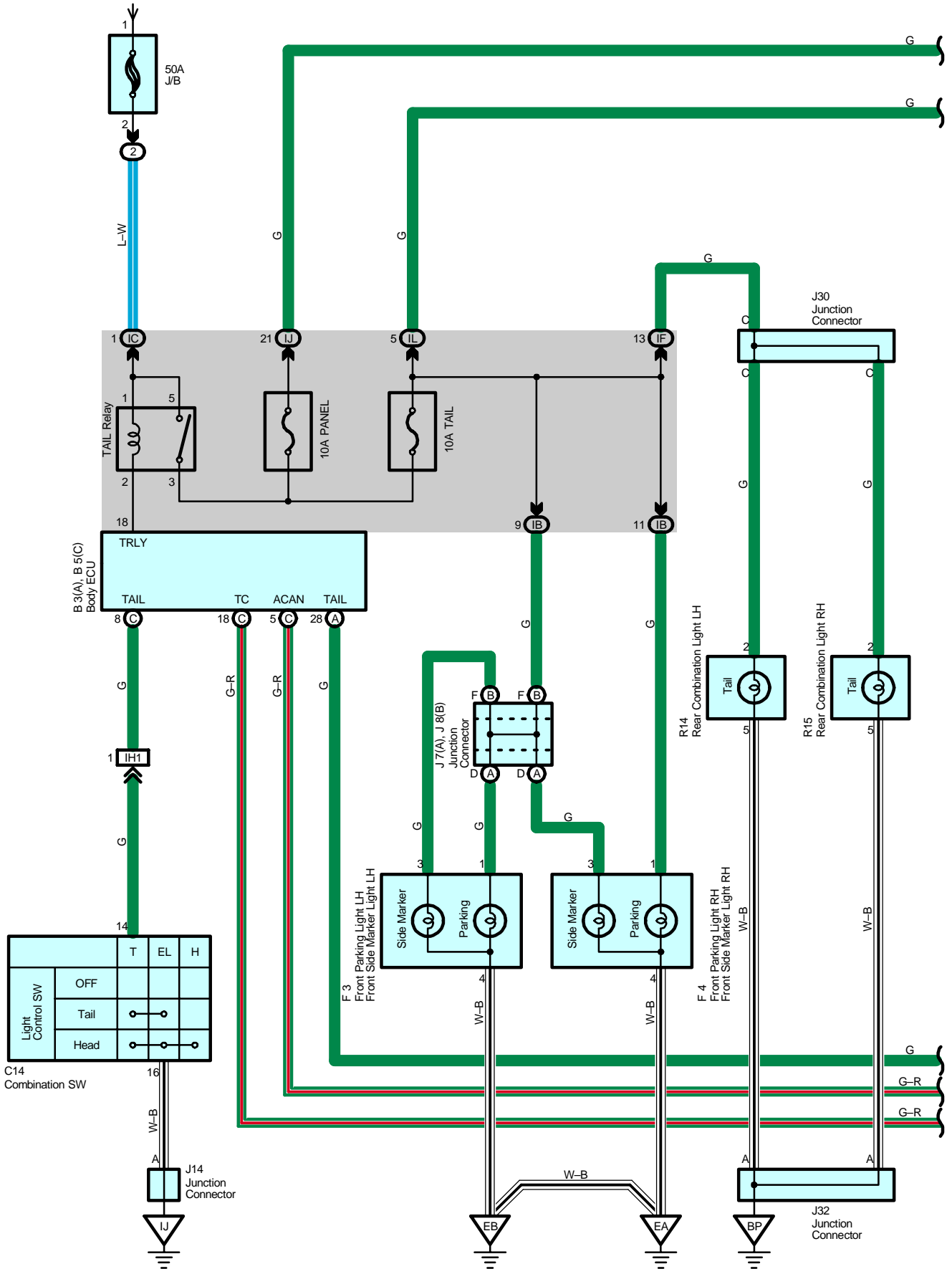
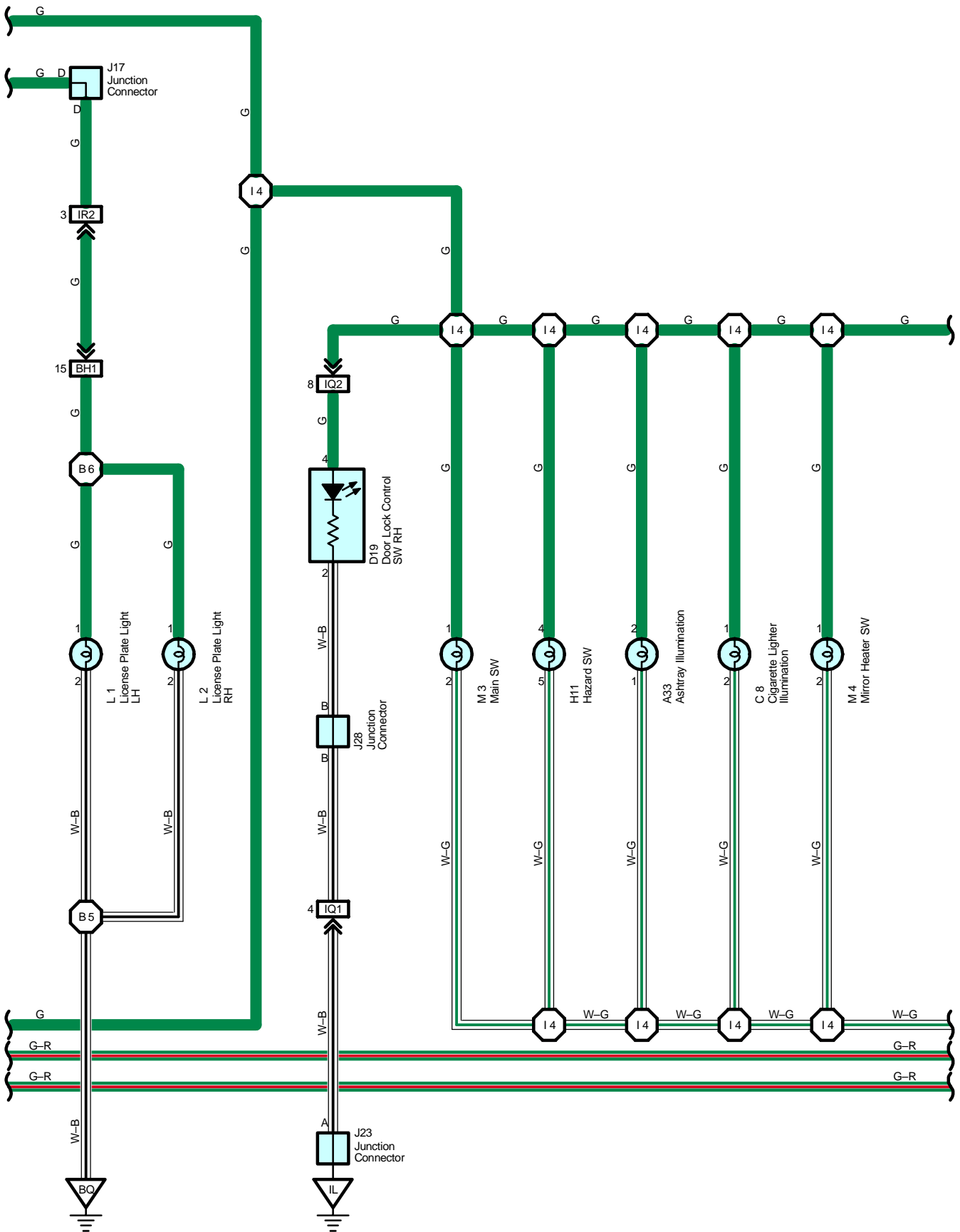


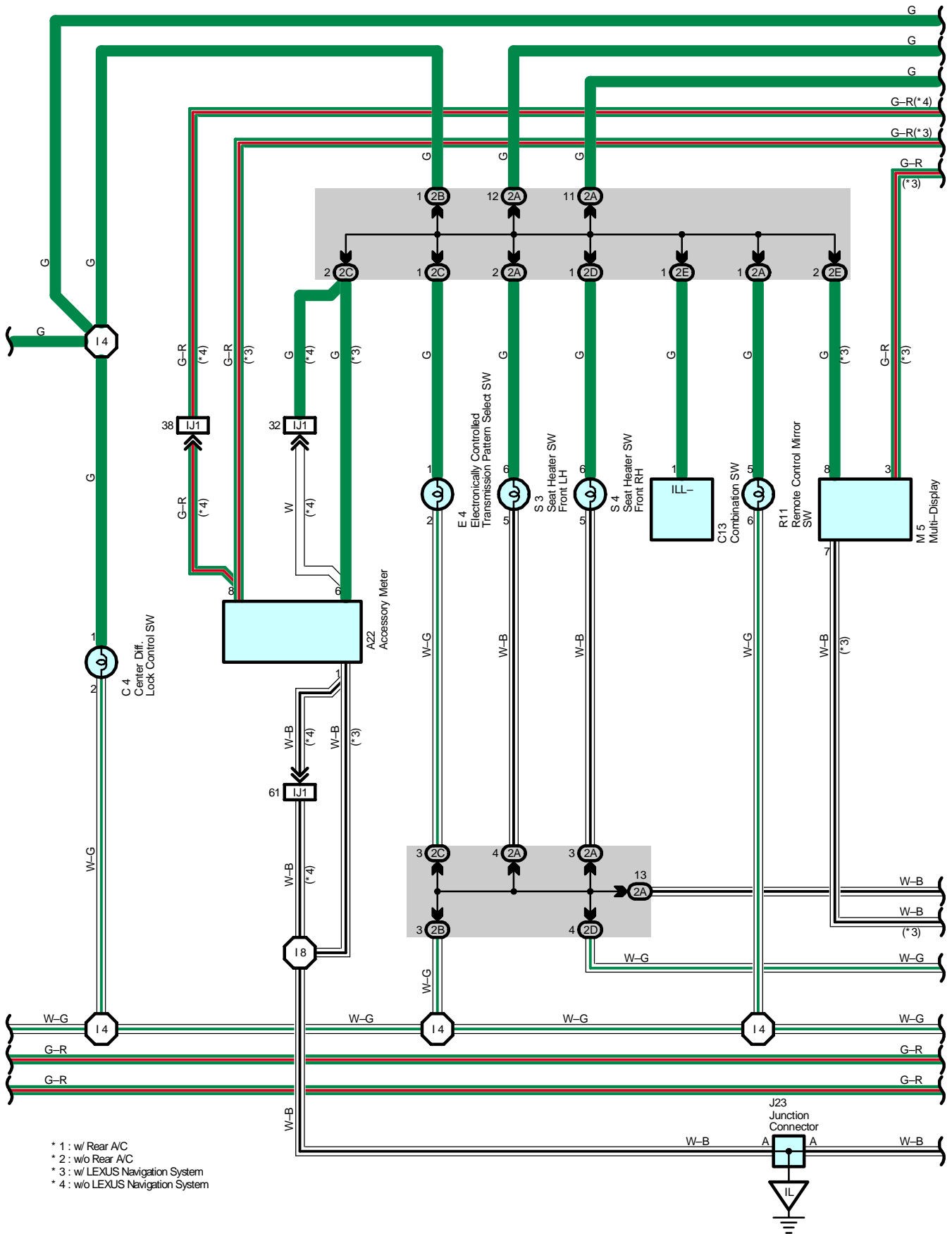
# Taillight and Illumination

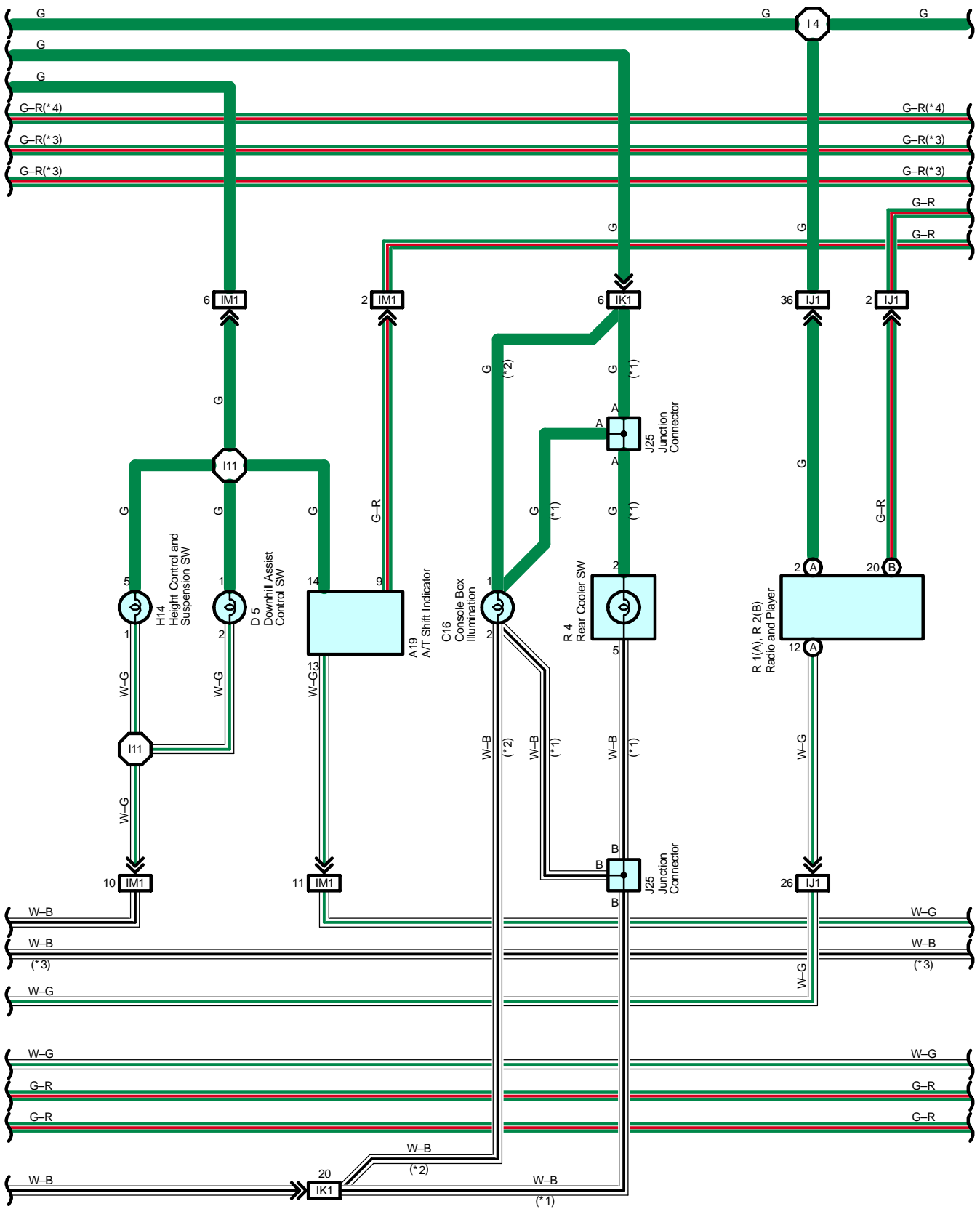
From Power Source System (See Page 64)



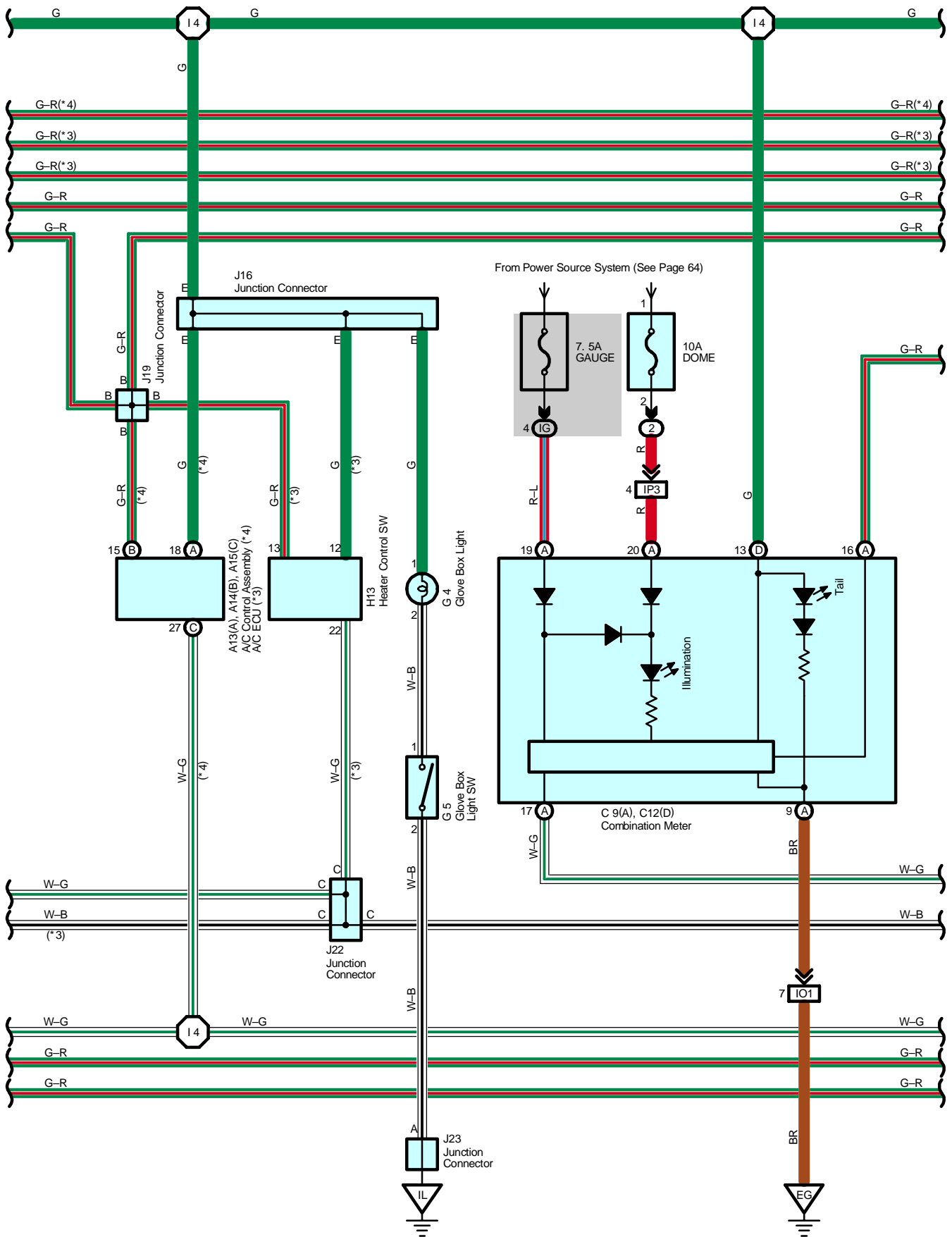


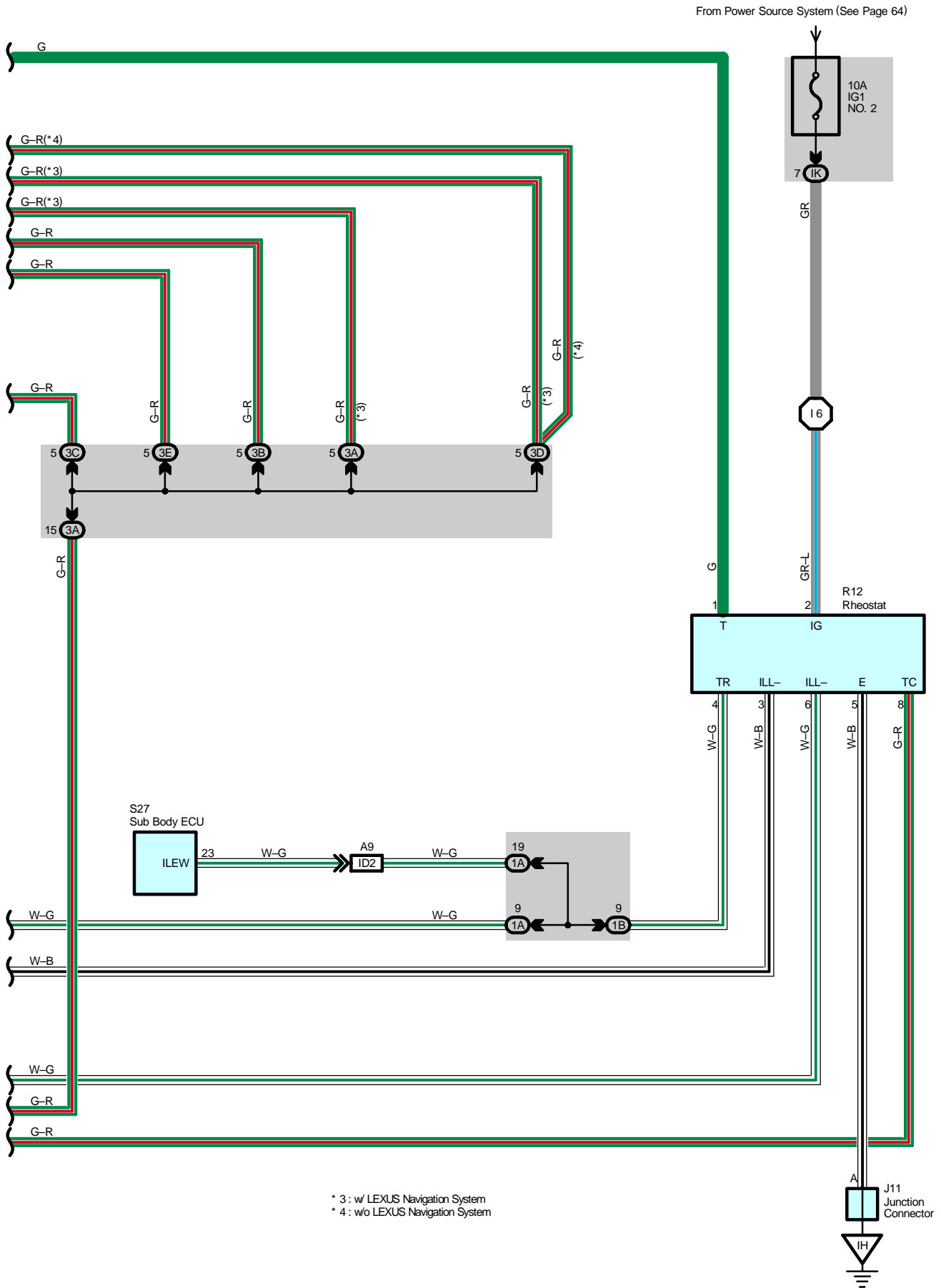
# Taillight and Illumination





# Taillight and Illumination





# Taillight and Illumination

## Service Hints

### C14 Combination SW

14-16-Ground : Continuity with the light control SW at TAIL or HEAD position

## ○ : Parts Location

Code	See Page	Code	See Page	Code	See Page			
A13	A	38	F3	36	J30	43		
A14	B	38	F4	36	J32	43		
A15	C	38	G4	39	L1	43		
A19		38	G5	39	L2	43		
A22		38	H11	39	M3	40		
A33		38	H13	39	M4	40		
B3	A	38	H14	39	M5	40		
B5	C	38	J7	A	40	R1	A	41
C4		38	J8	B	40	R2	B	41
C8		38	J11		40	R4		41
C9	A	38	J14		40	R11		41
C12	D	38	J16		40	R12		41
C13		38	J17		40	R14		44
C14		38	J19		40	R15		44
C16		38	J22		40	S3		41
D5		39	J23		40	S4		41
D19		42	J25		40	S27		45
E4		39	J28		43			

## ○ : Relay Blocks

Code	See Page	Relay Blocks (Relay Block Location)
2	22	Engine Room R/B (Engine Compartment Left)

## ○ : Junction Block and Wire Harness Connector

Code	See Page	Junction Block and Wire Harness (Connector Location)
IB	26	Engine Room Main Wire and Driver Side J/B (Lower Finish Panel)
IC		
IF	26	Floor No.2 Wire and Driver Side J/B (Lower Finish Panel)
IG	27	Instrument Panel Wire and Driver Side J/B (Lower Finish Panel)
IJ		
IK		
IL		
1A	30	Instrument Panel Wire and J/B No.1 (Instrument Panel Reinforcement Left)
1B		
2A	32	Instrument Panel Wire and J/B No.2 (Instrument Panel Reinforcement Center)
2B		
2C		
2D		
2E		
3A	34	Instrument Panel Wire and J/B No.3 (Instrument Panel Reinforcement Right)
3B		
3C		
3D		
3E		

 : Connector Joining Wire Harness and Wire Harness

Code	See Page	Joining Wire Harness and Wire Harness (Connector Location)
ID2	50	Instrument Panel Wire and Floor No.2 Wire (Left Kick Panel)
IH1	52	Instrument Panel Wire and Instrument Panel Wire (Near the J/B No.1)
IJ1	52	Instrument Panel Wire and Instrument Panel No.2 Wire (Instrument Panel Brace LH)
IK1	52	Console Box Wire and Instrument Panel Wire (Under the Instrument Panel Brace LH)
IM1	54	Instrument Panel Wire and Switch Wire (Front Side of the Console Box)
IO1	54	Engine Wire and Instrument Panel Wire (Right Side of the Blower Unit)
IP3	54	Instrument Panel Wire and Engine Room Main Wire (Right Kick Panel)
IQ1	56	Front Door RH Wire and Instrument Panel Wire (Right Kick Panel)
IQ2		
IR2	56	Instrument Panel Wire and Floor Wire (Right Kick Panel)
BH1	60	Back Door No.1 Wire and Floor Wire (Right Quarter Panel Inner)

 : Ground Points

Code	See Page	Ground Points Location
EA	48	Front Right Fender
EB	48	Front Left Fender
EG	48	Rear Bank of Left Cylinder Head
IH	50	Left Kick Panel
IJ	50	Near the Right Side of Steering Column
IL	50	Right Kick Panel
BP	58	Left Quarter Panel Inner
BQ	58	Back Door Panel Center

 : Splice Points

Code	See Page	Wire Harness with Splice Points	Code	See Page	Wire Harness with Splice Points
I4	52	Instrument Panel Wire	I11	52	Switch Wire
I6			B5	60	Back Door No.1 Wire
I8			B6		